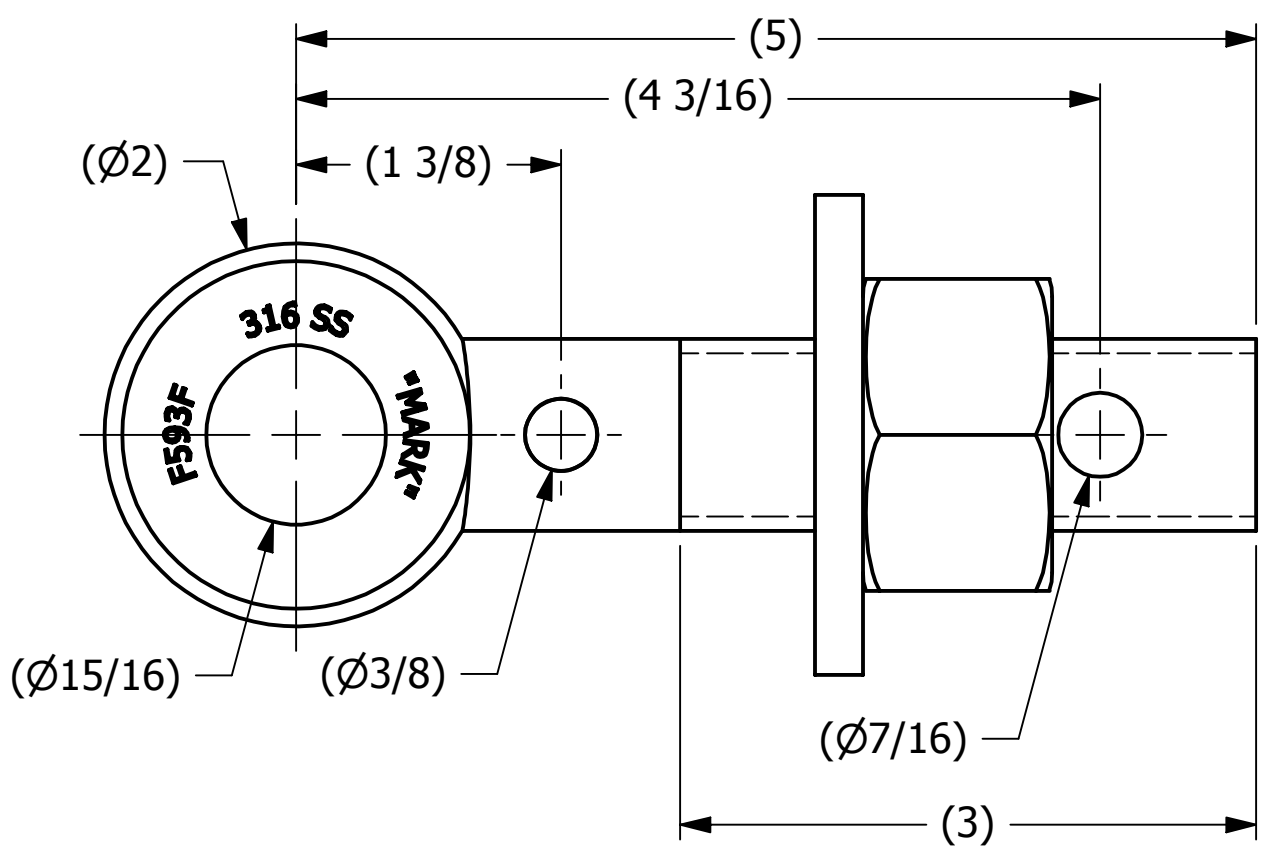
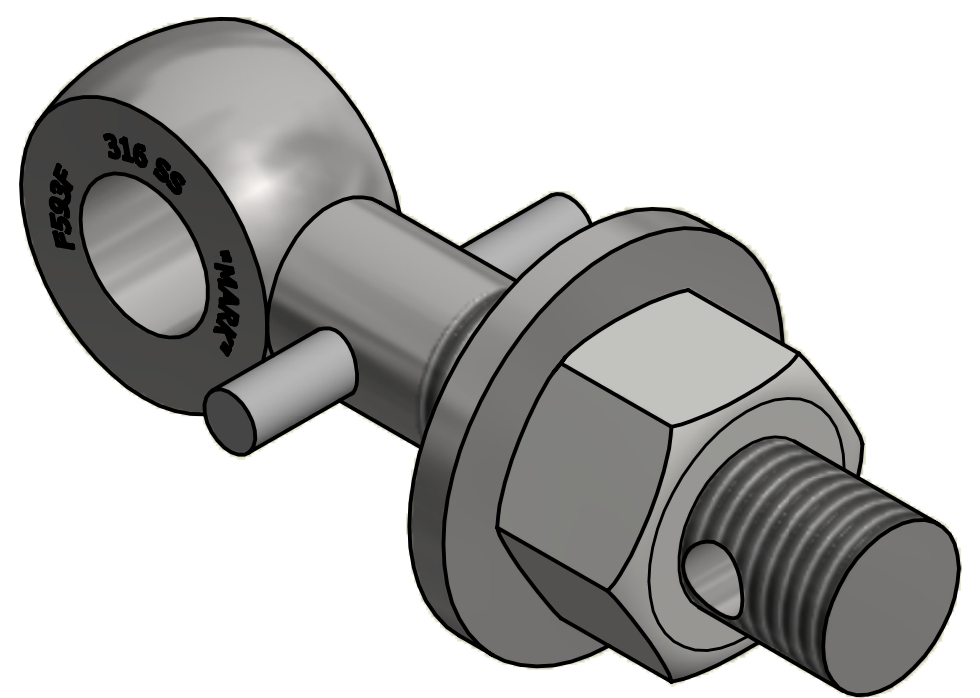
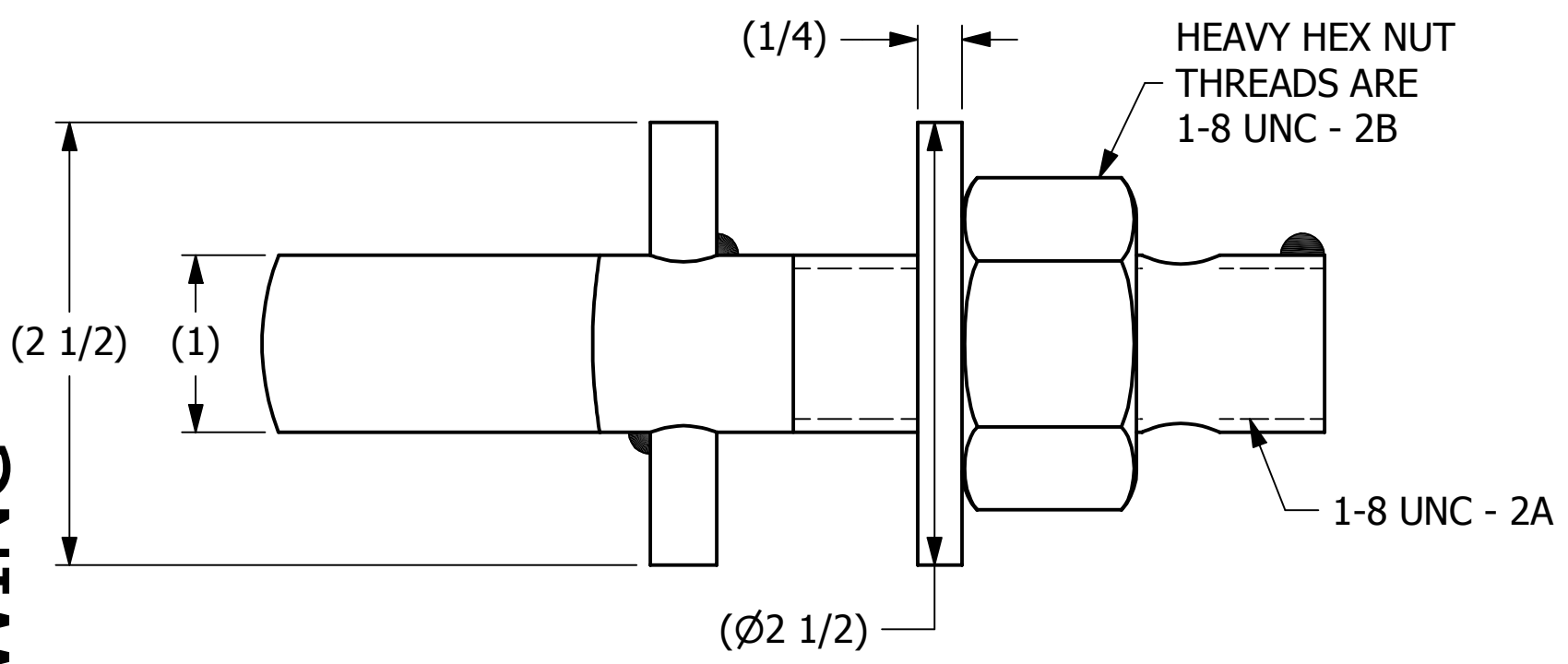


SALES DRAWING

SALES DRAWING



REV	BY	DATE	DESCRIPTION
B	RJP	5-18-16	ADDED MATERIAL NOTES
A	RJP	5-16-16	RELEASED FOR PRODUCTION

<small>UNLESS OTHERWISE SPECIFIED DIMENSIONAL TOLERANCES</small> FRACTIONAL: $\pm 1/16$ X.XX: $\pm .03$ X.XXX: $\pm .015$ ANGULAR: $\pm 1^\circ$ <small>DEBURR ALL SHARP EDGES. ALL MACHINED SURFACES TO HAVE A 125 RMS FINISH UNLESS NOTED OTHERWISE.</small>	DRAWN BY:	RJP
	CHECKED BY:	EJF
	PROTOTYPE BY:	RJP
	PROTOTYPE DATE:	5/16/2016
	APPROVED FOR PRODUCTION BY:	EJF
THIRD ANGLE PROJECTION	PRODUCTION DATE:	5/16/2016

SALCO PRODUCTS, INC.		
PART NAME: EYEBOLT ASSEMBLY 1"X5"		
MATERIAL: STAINLESS STEEL		
PROJECT #: R160211	SHEET #: 1 OF 1	SCALE: 1:1
DRAWING #: B43693	PART #: EB15XH2AS6P	

THIS PRINT, PROPERTY OF SALCO PRODUCTS INC., CONTAINS PROPRIETARY INFORMATION AND MUST NOT BE COPIED, REPRODUCED, OR USED DETRIMENTALLY TO OUR INTEREST.